

ithaca® 9000

by TRANSACT®



PRINT IT. STICK IT.™

ANY WAY YOU WANT IT.

One Printer for
Receipts, Grill
and Custom
Beverage Orders

MADE TO ORDER. BUILT TO LAST.™

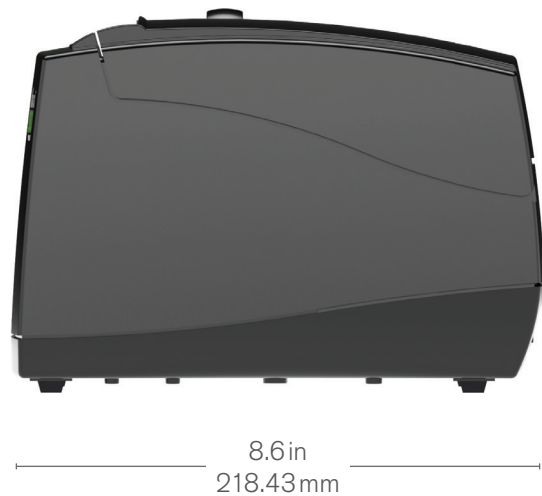
Receipts, sticky grill labels AND sticky custom beverage labels – all from ONE printer. The Ithaca® 9000 thermal printer is your 3-in-1 workhorse. With the flexibility to use 40, 58 or 80mm paper in a single printer and combined with spacing-saving internally mounted power supply - now you have one printer for all of your needs.

SPECIFICATIONS

Print Resolution	8 Dots/mm (203dpi)
Print Width	2.83 inches (72 mm)
Print Speed	Plain thermal paper: 12 inches/304mm per second Linerless labels: 6 inches/152mm per second
Dimensions	6.25W x 8.6D x 6H (inches) 158.75W x 218.43D x 152.4H (mm)
Weight	4.5lbs (2.04 Kg)
Interface	USB, Plus one optional interface: • RS232C: 9 or 25 Pin • IEEE1284: 25 or 36 Pin Centronics • Ethernet
Power Supply	100Vac-240Vac, 50-60 Hz
Operating Temperature	41-122 °F at 10-90% RH 5-50 °C at 10-90% RH
Print Head Life	150km
Bar Codes	Code 39, Code 93, Interleaved 2 Of 5, UPC-A and UPC-E, Codabar, EAN8 and EAN1, Code 128, PDF417
Print Drivers	Windows XP, Windows Vista, Windows 7, OPOS
Compliance	FCC Class B, RoHS/WEE, CE Mark, EN 60950-1, 2nd edition +A11:2007, ISTA, Energy Star Compliant, California Efficiency Marking (power supply)
Paper Width: Plain Thermal	80mm or 58mm
Paper Width: Linerless Label	80mm or 40mm
Roll Diameter	4 inches (100mm)

BENEFITS

- Flexibility to use 40, 58 or 80mm paper in a single printer
- Accommodates plain or sticky thermal paper
- Automatically senses what paper you've loaded – and reconfigures itself
- Space-saving internally mounted power supply
- Simple drop-in loading of receipt paper



TRANSACT®
www.transact-tech.com

©2016 TransAct Technologies, Inc.
Ithaca is a trademark of TransAct Technologies.

For more information:

Phone: 877-748-4222, Option 4

Email: sales@transact-tech.com

TACT001015_RevA